

CORRENTES, TROLLEYS E ACESSÓRIOS



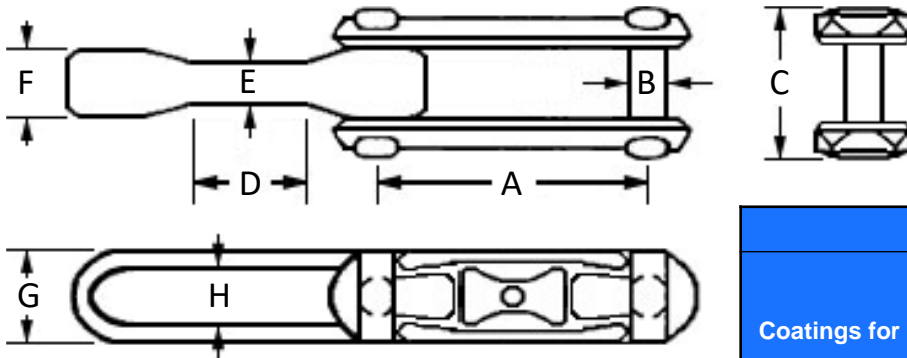
TABELA DE CONTEUDO

Correntes.....	paginas	3-4
Suspensões.....	paginas	5-8
Trolleys.....	paginas	9-18
Roldanas	paginas	19-21

Correntes



CORRENTES FORJADAS



OPTIONS	
Coatings for Chain	Zinc Yellow Dichromate Nickel Zinc Black Diamond (pins)

CHAIN SIZE	MATERIAL	AVG. ULT. STRENGTH *	A	B	C	D	E	F	G	H
X-348	CARBON PLUS MICROTUFF 15	26,000 lbs 40,000 lbs	3	.50"	1.84"	1.63"	.50"	.75"	1.09"	.562"
X-458	CARBON PLUS MICROTUFF 15 HIGH ALLOY	52,000 lbs 68,000 lbs 60,000 lbs	4	.625"	2.25"	2.25"	.625"	1.00"	1.41"	.687"
X-678	CARBON PLUS MICROTUFF 15 HIGH ALLOY	112,000 lbs 125,000 lbs 120,000 lbs	6	.875"	3.13"	3.38"	.812"	1.28"	2.00"	.969"
698	MICROTUFF 15	160,000 lbs	6	1.12"	3.75"	3.50"	1.00"	1.55"	2.75"	1.25"

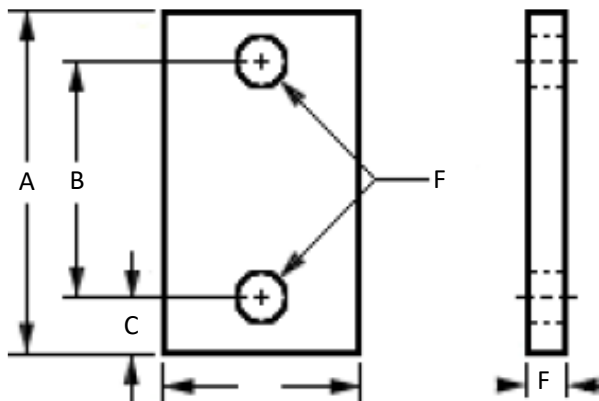
MATERIAL SPEC		CARBON (4140)	MICROTUFF 15	HIGH ALLOY (8642)
HEAT TREAT		375-429	375-429	429-477
PART #		PART #	PART #	PART#
PIN	348	1732A	1732	1735
	458	1742A	1742	1745
	678	1762A	1762	1765
	698	1862A	1862	1865
MATERIAL SPEC		CARBON (1048/1053)	MICROTUFF 15	HIGH ALLOY (8642)
HEAT TREAT		341-390	375-429	429-477
PART #		PART #	PART #	PART#
CENTER LINK	348	1730A	1730	1733
	458	1740A	1740	1743
	678	1760A	1760	1763
	698	1860A	1860	1863
MATERIAL SPEC		CARBON (1048/1053)	MICROTUFF 15	HIGH ALLOY (8642)
HEAT TREAT		301-344	375-429	429-477
PART #		PART #	PART #	PART#
SIDE LINK	348	1731A	1731	1734
	458	1741A	1741	1744
	678	1761A	1761	1764
	698	1861A	1861	1864

Acessórios



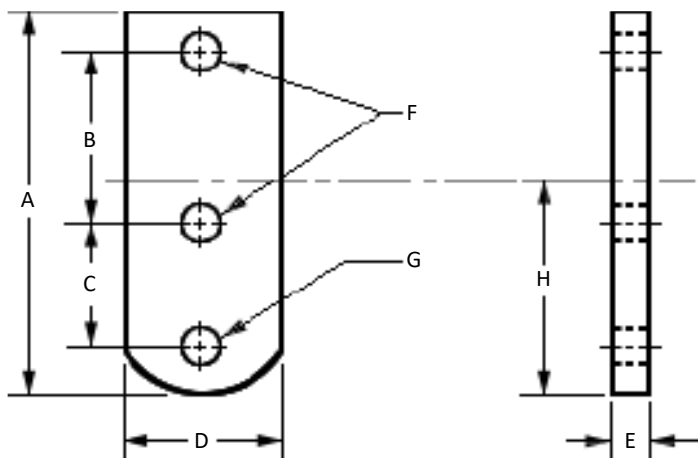
Suspensões "I" e "C"

OPTIONS	
Coatings for Attachments	Zinc Yellow Dichromate Nickel Zinc



I Attachment

CHAIN SIZE	Part #	A	B	C	D	E	F
X-348	3323	2.88"	1.88"	0.50"	1.25"	0.25"	0.34"
X-458	3423	3.00"	2.13"	0.44"	1.75"	0.38"	0.41"
X-678	3623	4.16"	2.75"	0.69"	3.00"	0.50"	0.56"

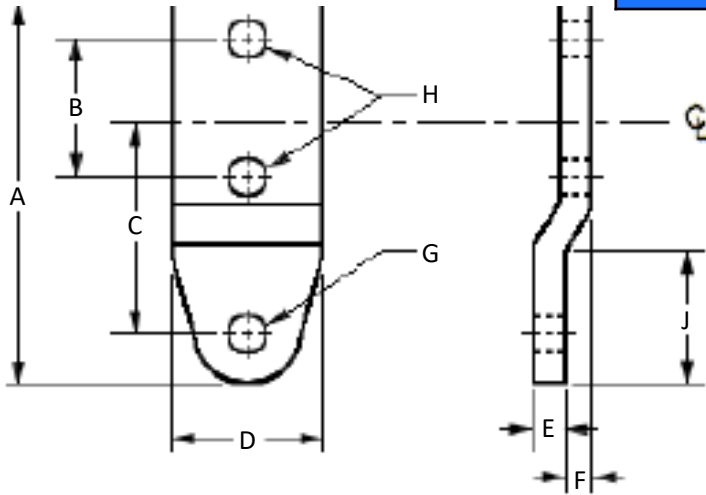


C Attachment

CHAIN SIZE	Part #	A	B	C	D	E	F	G	H
X-348	33262	5.25"	1.88"	2.25"	1.44"	0.25"	0.34"	0.53"	3.75"
X-458	3427	5.62"	2.13"	2.06"	1.75"	0.38"	0.41"	0.56"	3.94"
X-678	3627	5.38"	1.88"	4.25"	1.25"	0.25"	0.34"	0.53"	3.13"

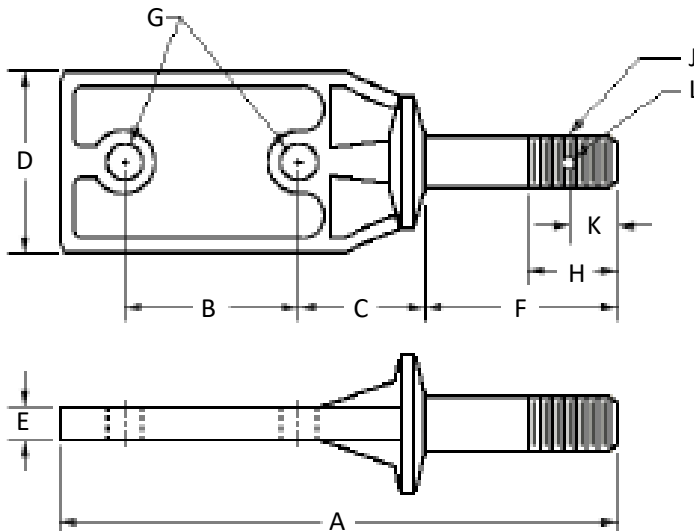
Suspensões "H" e "B"

OPTIONS	
Coatings for Attachments	Zinc
	Yellow Dichromate
	Nickel Zinc



H Attachment

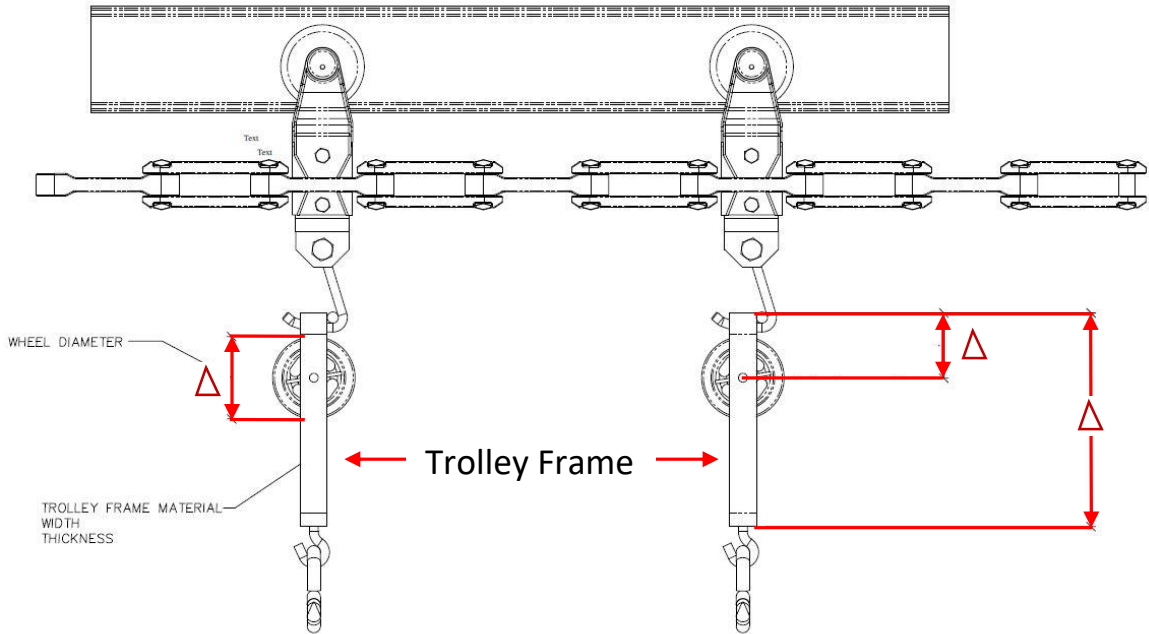
CHAIN SIZE	Part #	A	B	C	D	E	F	G	H	J
X-348	3321	5.22"	1.88"	3.12"	1.50"	0.13"	0.29"	0.53"	0.34"	1.63"
X-458	3421	5.56"	2.13"	2.87"	2.00"	0.18"	0.34"	0.53"	0.41"	1.90"
X-678	3621	7.00"	2.75"	3.63"	3.00"	0.25"	0.41"	0.81"	0.53"	2.00"



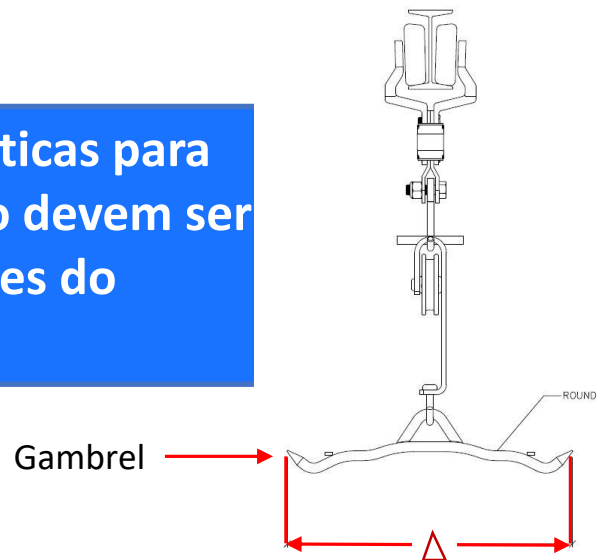
B Attachment

CHAIN SIZE	Part #	A	B	C	D	E	F	G	H	J	K	L
X-348	3325	5.75"	1.88"	1.56"	1.50"	.25"	1.25"	0.33"	0.875"	1/2"-13	0.25"	0.14"
X-458	3425	6.88"	2.13"	2.00"	2.00"	.38"	0.96"	0.41"	1.12"	5/8"-11	0.25"	0.14"
X-678	3625	8.78"	2.75"	2.00"	3.00"	.50"	1.62"	0.53"	1.38"	7/8"-9	0.33"	0.20"

Acessórios: Gancheiras



As gancheiras são características para cada aplicação. Assim sendo devem ser previamente projetadas antes do orçamento



TROLLEYS

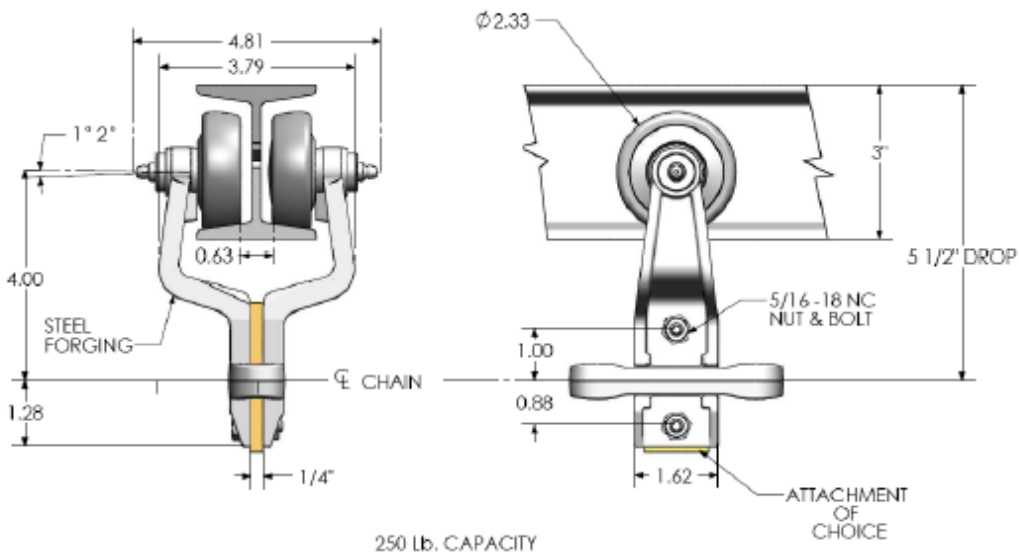


Trolleys: Serie 05, "Rebitado"

Wheel Diameter	2.33"
Wheel Material	52100 Chrome Steel
Chain Size	X-348
Bracket Number	05
Drop	5.5"

OPTIONS	
Grease	Customer Specified
Coatings for Brackets	Zinc Yellow Dichromate Nickel Zinc

SEAL OPTIONS	
O/O	Open / Open
LAB	Triple Labrynth
SOS	Single Outer Shield
Welsh Cap	Available on open/open



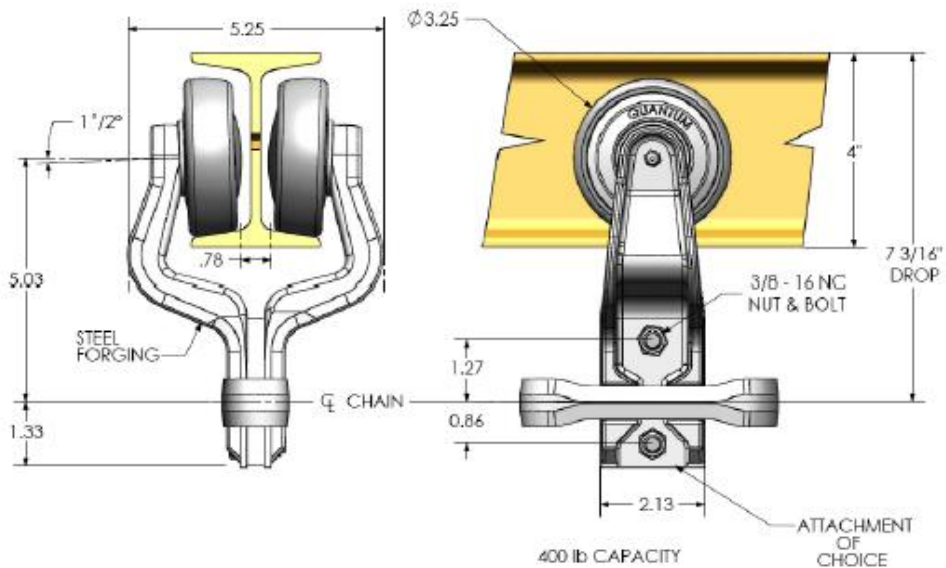
Part #	Type	Wheel	O.D. (inches)	Seal	Hole Alignment	Drop (inches)	Weight (lbs)
TR9046CW-05S	OH	Full Ball	2.33	O/O	VH	5.50	2.65
TR9049CW-05S	OH	Full Ball	2.33	LAB	VH	5.50	2.77
TR9065CW-05S	OH	Full Ball	2.33	SOS	VH	5.50	2.71

Trolleys: Serie 10, "Drop Curto"

Wheel Diameter	3.25"
Wheel Material	52100 Chrome Steel
Chain Size	X-458
Bracket Number	10
Drop	7-3/16"

OPTIONS	
Grease	Customer Specified
Coatings for Brackets	Zinc Yellow Dichromate Nickel Zinc

SEAL OPTIONS	
O/O	Open / Open
LAB	Triple Labrynth
SOS	Single Outer Shield
Welsh Cap	Available on open/open



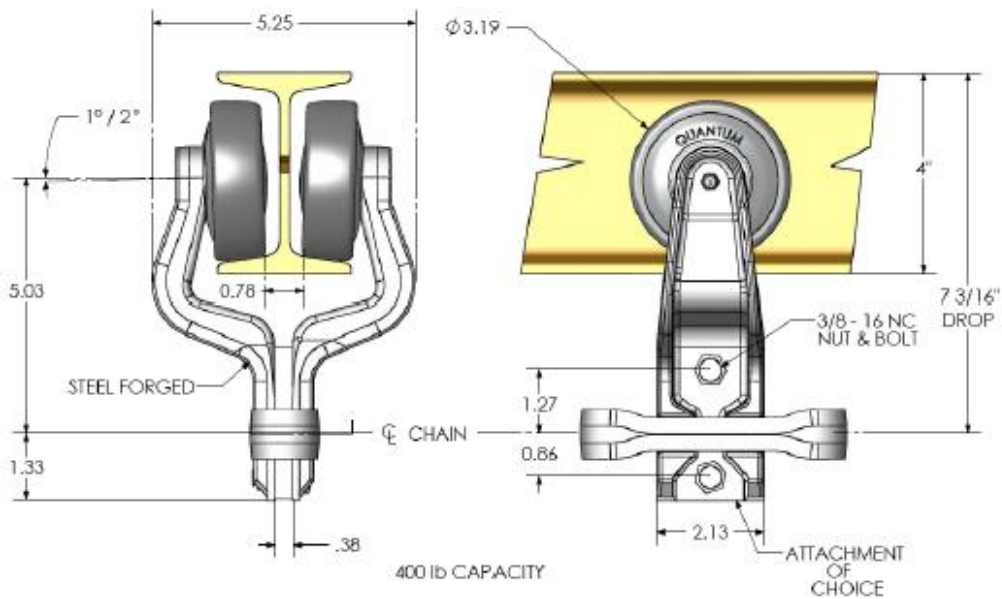
Part #	Type	Wheel	O.D. (inches)	Seal	Hole Alignment	Drop (inches)	Weight (lbs)
TR3127CW-10	OH	Full Ball	3.25	O/O	VH	7.19	2.65
TR9021CW-10	OH	Full Ball	3.25	LAB	VH	7.19	2.77
TR9029CW-10	OH	Full Ball	3.25	SOS	VH	7.19	2.71

Trolleys: Serie 10, "Drop Curto"

Wheel Diameter	3.19"
Wheel Material	52100 Chrome Steel
Chain Size	X-458
Bracket Number	10
Drop	7-3/16"

OPTIONS	
Grease	Customer Specified
Coatings for Brackets	Zinc Yellow Dichromate Nickel Zinc

SEAL OPTIONS	
O/O	Open / Open
LAB	Triple Labrynth
SOS	Single Outer Shield
Welsh Cap	Available on open/open



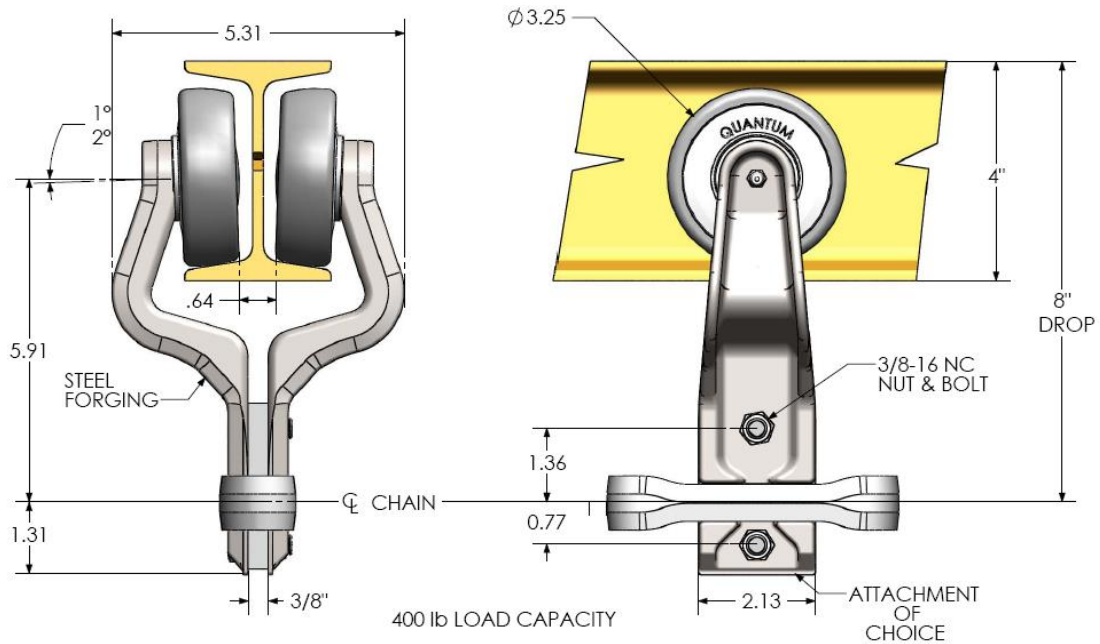
Part #	Type	Wheel	O.D. (inches)	Seal	Hole Alignment	Drop (inches)	Weight (pounds)
TR9053SRCW-10	OH	Full Ball	3.19	O/O	VH	7.19	2.47
TR9053CW-10	OH	Full Ball	3.19	LAB	VH	7.19	2.66
TR9053CWOS-10	OH	Full Ball	3.19	SOS	VH	7.19	2.52

Power Trolleys: 20 Series, "Long Drop"

Wheel Diameter	3.25"
Wheel Material	52100 Chrome Steel
Chain Size	X-458
Bracket Number	20
Drop	8.0"

OPTIONS	
Grease	Customer Specified
Coatings for Brackets	Zinc Yellow Dichromate Nickel Zinc

SEAL OPTIONS	
O/O	Open / Open
LAB	Triple Labrynth
SOS	Single Outer Shield
Welsh Cap	Available on open/open



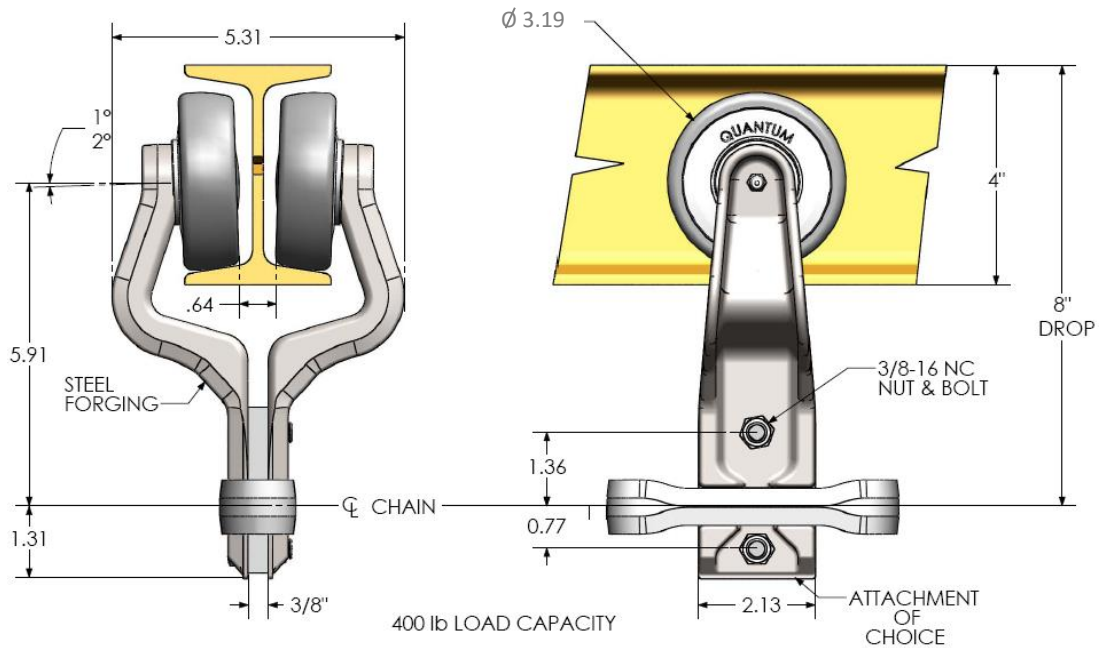
Part #	Type	Wheel	O.D. (inches)	Seal	Hole Alignment	Drop (inches)	Weight (lbs)
TR3127CW-20	OH	Full Ball	3.25	O/O	VH	8.0	2.65
TR9021CW-20	OH	Full Ball	3.25	LAB	VH	8.0	2.84
TR9029CW-20	OH	Full Ball	3.25	SOS	VH	8.0	2.71

Trolleys: Serie 20, "Drop Longo"

Wheel Diameter	3.19"
Wheel Material	52100 Chrome Steel
Chain Size	X-458
Bracket Number	20
Drop	8.0"

OPTIONS	
Grease	Customer Specified
Coatings for Brackets	Zinc Yellow Dichromate Nickel Zinc

SEAL OPTIONS	
O/O	Open / Open
LAB	Triple Labrynth
SOS	Single Outer Shield
Welsh Cap	Available on open/open



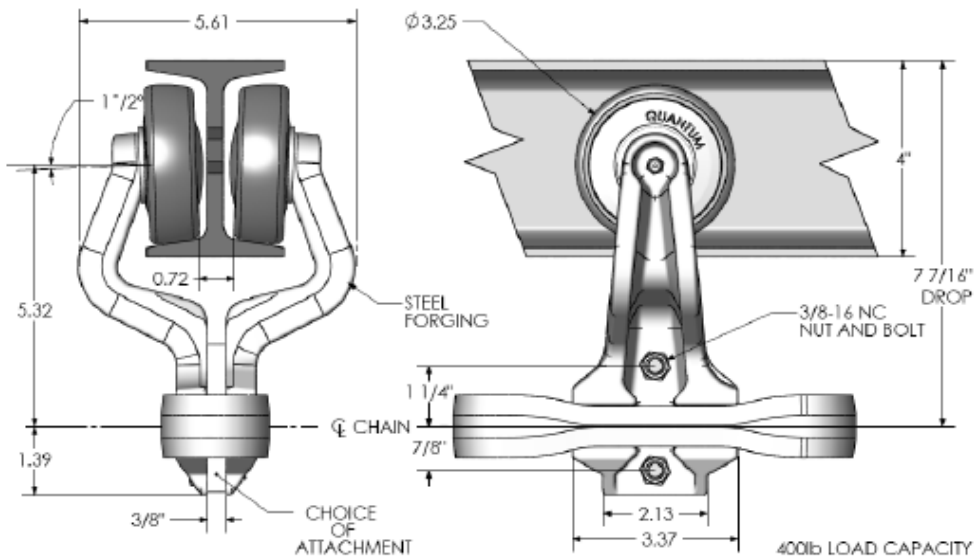
Part #	Type	Wheel	O.D. (inches)	Seal	Hole Alignment	Drop (inches)	Weight (pounds)
TR9053SRCW-10	OH	Full Ball	3.19	O/O	VH	7.19	2.47
TR9053CW-10	OH	Full Ball	3.19	LAB	VH	7.19	2.66
TR9053CWOS-10	OH	Full Ball	3.19	SOS	VH	7.19	2.52

Trolleys: Serie 50 “ Drop 4x6”

Wheel Diameter	3.25”
Wheel Material	52100 Chrome Steel
Chain Size	X-678
Bracket Number	50HD
Drop	7-7/16”

OPTIONS	
Grease	Customer Specified
Coatings for Brackets	Zinc Yellow Dichromate Nickel Zinc

SEAL OPTIONS	
O/O	Open / Open
LAB	Triple Labrynth
SOS	Single Outer Shield
Welsh Cap	Available on open/open



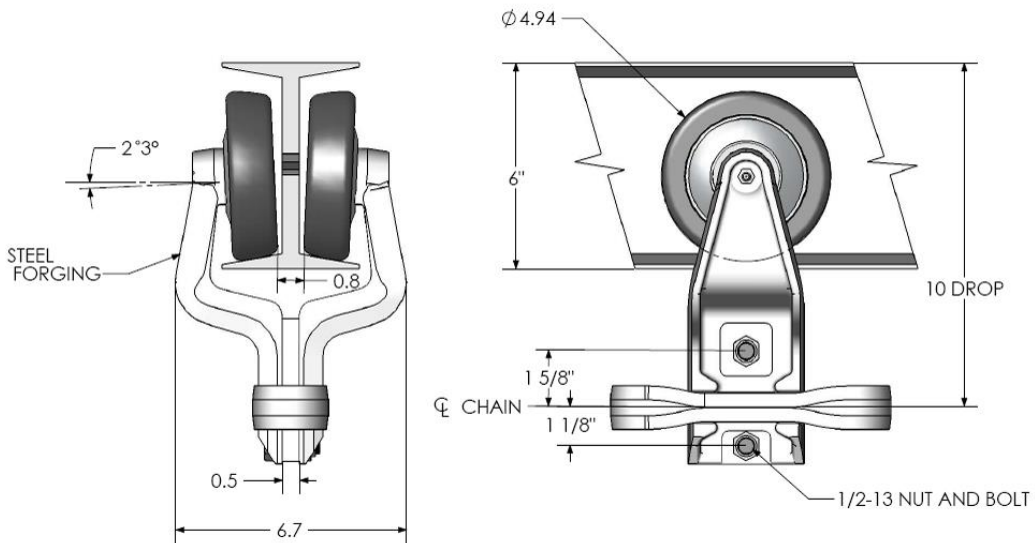
Part #	Type	Wheel	O.D. (inches)	Seal	Hole Alignment	Drop (inches)	Weight (lbs)
TR3127CW-50HD	OH	Full Ball	3.25	O/O	VH	7-7/16	3.50
TR9021CW-50HD	OH	Full Ball	3.25	LAB	VH	7-7/16	3.67
TR9029CW-50HD	OH	Full Ball	3.25	SOS	VH	7-7/16	3.55

Trolleys: Serie 70, "Drop 10"

Wheel Diameter	4.94
Wheel Material	52100 Chrome Steel
Chain Size	X-678
Bracket Number	70
Drop	10.0"

OPTIONS	
Grease	Customer Specified
Coatings for Brackets	Zinc Yellow Dichromate Nickel Zinc

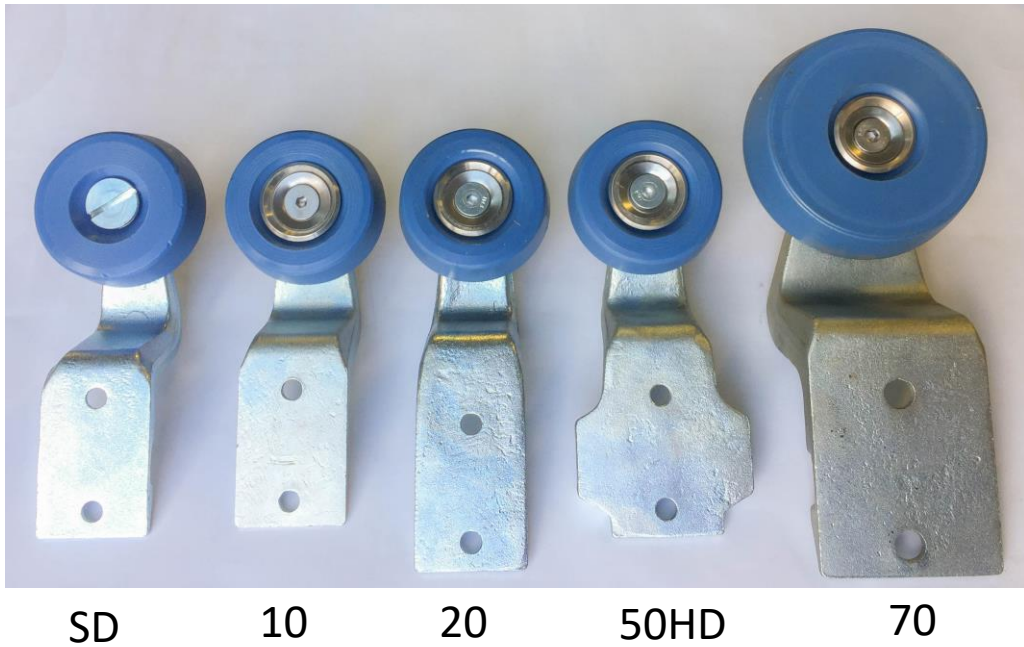
SEAL OPTIONS	
O/O	Open / Open
LAB	Triple Labrynth
SOS	Single Outer Shield
Welsh Cap	Available on open/open



Part #	Type	Wheel	O.D. (inches)	Seal	Hole Alignment	Drop (inches)	Weight (pounds)
TR9028CW-70	OH	Full Ball	4.94	O/O	VH	10.0	7.82
TR9033CW-70	OH	Full Ball	4.94	LAB	VH	10.0	8.24
TR9048CW-70	OH	Full Ball	4.94	SOS	VH	10.0	7.93

Trolleys: Roldanas Plásticas

OPTIONS	
Brackets	10, 20, 50 and 70 Series Brackets.
Coatings for Brackets	Zinc Yellow Dichromate Nickel Zinc

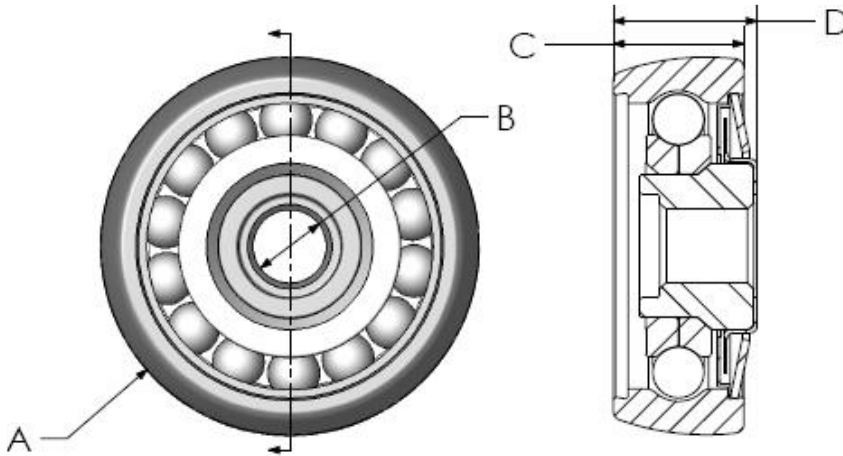


Part #	Type	Wheel	O.D. (inches)	Hole Alignment	Drop (inches)	Weight (pounds)
TR4SDPW	OH	PLASTIC	3.25	VH	7-3/16	1.41
TR4SFP-10	OH	PLASTIC	3.25	VH	7-3/16	1.72
TR4SFP-20	OH	PLASTIC	3.25	VH	8.0	1.91
TR4SFP-50HD	OH	PLASTIC	3.25	VH	7-7/16	2.75
TR6SFP-70	OH	PLASTIC	4.87	VH	10.0	4.12

Roldanas e Roletes



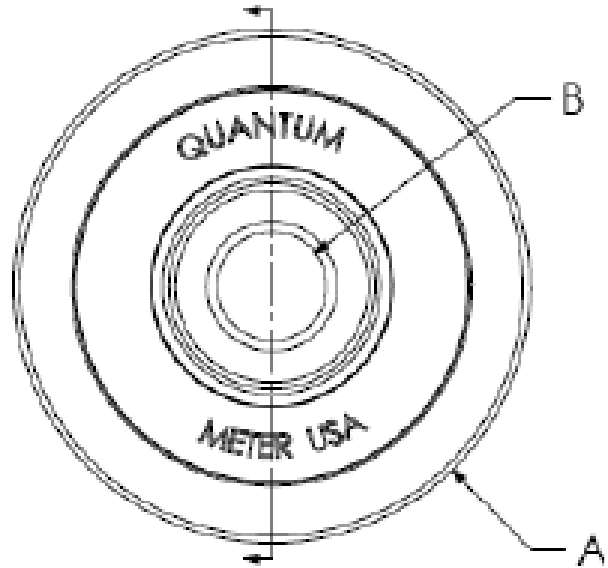
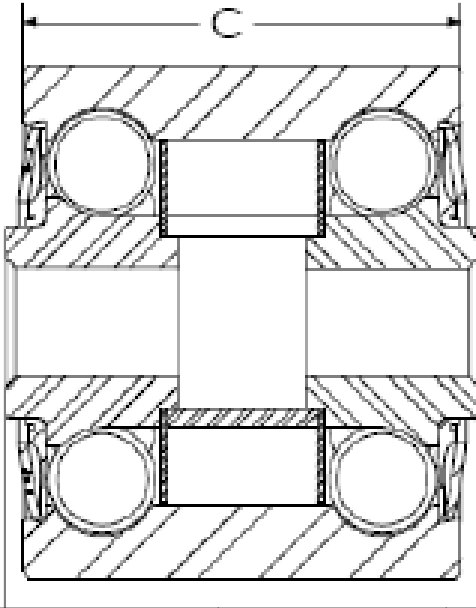
Roldanas para Trolleys



Part #	Track Size (inch)	A		B	C		D		Seals
		mm	in	in	mm	in	mm	in	
CU9046CW	3	59.13	2.33	7/16"	19.05	0.75	20.60	0.81	O/O
CU9049CW	3	59.13	2.33	7/16"	19.05	0.75	21.10	0.83	LAB
CU9065CW	3	59.13	2.33	7/16"	19.05	0.75	20.60	0.81	SOS
CU3127CW	4	82.55	3.25	1.0"	25.40	1.00	28.90	1.14	O/O
CU9021CW	4	82.55	3.25	1.0"	25.40	1.00	29.40	1.16	LAB
CU9029CW	4	82.55	3.25	1.0"	25.40	1.00	28.90	1.14	SOS
CU9053CW	4	80.95	3.19	1.0"	25.40	1.00	29.40	1.16	LAB
CU9053SRCW	4	80.95	3.19	1.0"	25.40	1.00	28.90	1.14	O/O
CU9053CWOS	4	80.95	3.19	1.0"	25.40	1.00	28.90	1.14	SOS
CU9028CW	6	125.35	4.94	1.0"	33.34	1.31	35.40	1.39	O/O
CU9033CW	6	125.35	4.94	1.0"	33.34	1.31	36.10	1.42	LAB
CU9048CW	6	125.35	4.94	1.0"	33.34	1.31	35.40	1.39	SOS

SEAL OPTIONS	
O/O	Open / Open
LAB	Triple Labrynth
SOS	Single Outer Shield
Welsh Cap	Available on open/open

Roletes para Curvas



Part #	A		B	C		D		Seals
	mm	in	in	mm	in	mm	in	
CU2413MTR	71.44	2.81	3/4"	65.10	2.56	71.44	2.81	TRB
500001	70.00	2.75	1/2"	49.60	1.95	55.65	2.19	LAB
500007	70.00	2.75	9/16"	49.60	1.95	55.65	2.19	LAB
500000	70.00	2.75	5/8"	49.60	1.95	55.65	2.19	LAB
500002	70.00	2.75	1/2"	65.10	2.56	71.40	2.81	LAB
500003	70.00	2.75	9/16"	65.10	2.56	71.40	2.81	LAB
500004	70.00	2.75	5/8"	65.10	2.56	71.40	2.81	LAB
CU9073MTR	71.44	2.81	5/8"	65.10	2.56	71.40	2.81	TRB

SEAL ABBREVIATIONS	
LAB	Triple Labrynth
TRB	Tapered Roller Bearing